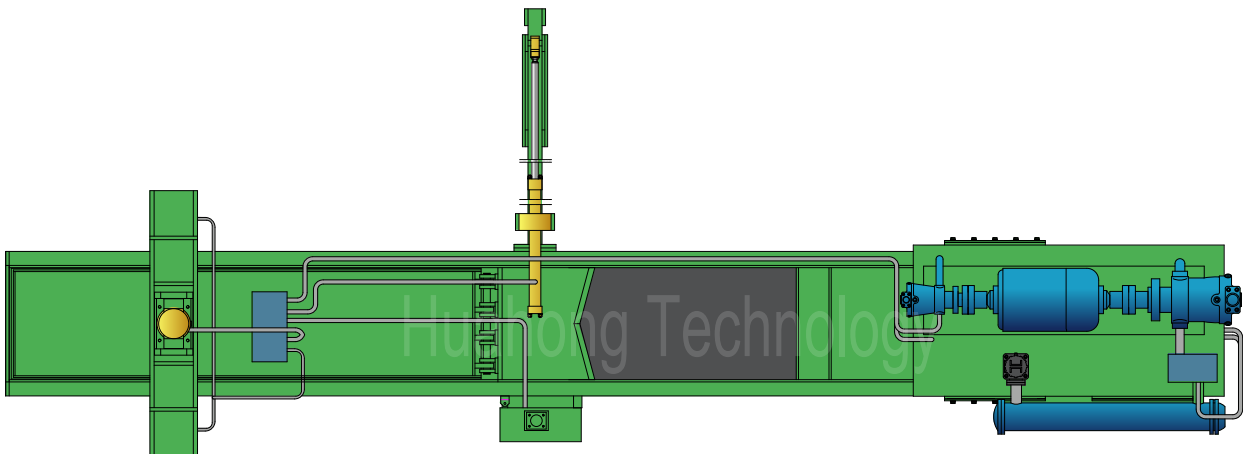
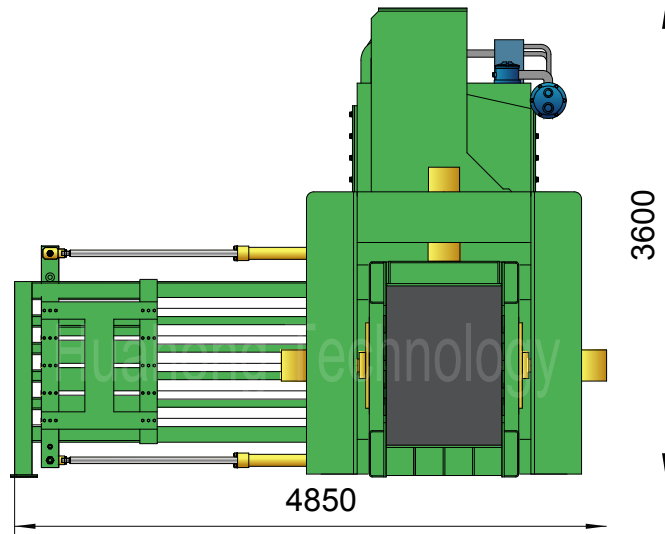
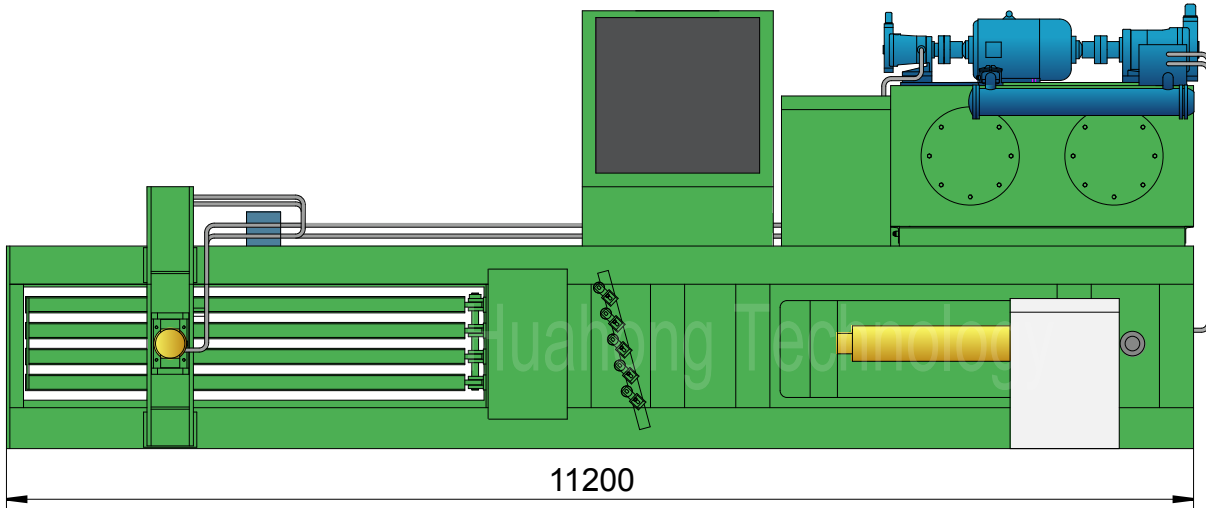




# HPA180

## Plan View





# HPA180

## Technical parameters

### Horizontal Baler (Automatic Belting)

Model: HPA180

#### Power System (Main Motor, 2 sets)

Type: Y315M-6  
 Rated Power: 90 kW (/set)  
 Rated Speed: 990 rpm  
 Power Spec: 3PH, 50 / 60Hz

#### System Parameters

Main Pressure Cyl. Force: 180 Ton  
 Necking Cyl. Force: 3×80 Ton  
 Wire Pushing Cyl. Force: 8 Ton  
 Wire Cutting Cyl. Force: 8 Ton  
 Hydraulic System Pressure: 25 MPa

#### Hydraulic System (Pump, 4 sets)

Pump #1, #2, #3: 250YCY14-1B  
 Rated Displacement: 250 ml/r (/set)  
 Max Operating Pressure: 31.5 MPa

#### Standard Configuration

NOK (JAPAN) Seal Packings for Cylinders;  
 V-shaped Cutting Blades; Wire Frame; Oil Cooler;  
 Conveyor Width 1600mm, Powered by 7.5kW Motor.

Pump #4: 40YCY14-1B  
 Rated Displacement: 40 ml/r  
 Max Operating Pressure: 31.5 MPa

#### Optional Configuration

Oil Heater; Magnetic Oil Filter;  
 Siemens PLC S7-300 for Long Distance Data Transmission;  
 Rexroth Pumps; Siemens Electrical Elements;  
 Diesel / Diesel Generator for Power.

#### Operation System

Mitsubishi / Siemens PLC & Touch Screen.

#### General Description

Main Machine Size (L×W×H): 11200×4850×3600 mm  
 Feeding Opening (L×W): 2200×1100 mm  
 Bale Size (W×H): 1100×1100 mm  
 Bale Weight (Cardboard): 810-1350 kg  
 Production Rate (Cardboard): 11.3-16.2 tons/hr  
 Strapping: Tempered Iron Wire, φ3.2/3.6mm, 5 Lines, Automatic Strapping.  
 Shipping Weight: Approx. 29 + 7 tons  
 Loading (Standard Containers): 2×40'GP

#### Hydraulic Oil Brand

Oil Tank Volume: 4900 ltr

| ISO VG | China     | U.S.       |         | Britain   | France     |
|--------|-----------|------------|---------|-----------|------------|
|        | GB11118.1 | CALTEX CO. | MOBIL   | SHELL     | ELF CO.    |
| HM 46  | 46 #      | Rando HD46 | D.T.E46 | Tellus 46 | Elfolna 46 |
| HM 68  | 68 #      | Rando HD68 | D.T.E68 | Tellus 68 | Elfolna 68 |

Above information are indicative not engaging. Rights reserved for change if necessary.